

ASYSTR 600

Physical

| | |
|---------|----------------|
| Weight | : 50 KG |
| Payload | : Upto 3 KG |
| Reach | : Upto 1200 mm |

Joint Range (deg)

| | |
|-------------|-------|
| J1 Waist | : 330 |
| J2 Shoulder | : 180 |
| J3 Elbow | : 160 |
| J4 Roll | : 330 |
| J5 Pitch | : 180 |
| J6 Roll | : 330 |

Joint Speed (deg/sec)

| | |
|-------------|-------|
| J1 Waist | : 200 |
| J2 Shoulder | : 60 |
| J3 Elbow | : 200 |
| J4 Roll | : 150 |
| J5 Pitch | : 150 |
| J6 Roll | : 150 |

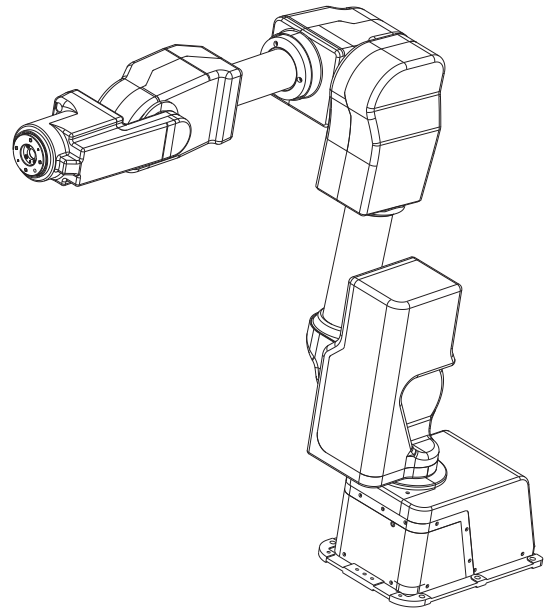
| | |
|--------------------|------------------------|
| Repeatability | : 0.1 mm |
| Tool Attachment | : ISO_9409-1-63-4-M6 |
| Footprint | : See image on reverse |
| Degrees of Freedom | : 6 |
| Cabling Harness | : Internal |

| | |
|------------------------|------------------------|
| Control Box Size WxHxD | : 200 x 420 x 330 (mm) |
| Control Box Weight | : 15 KG |

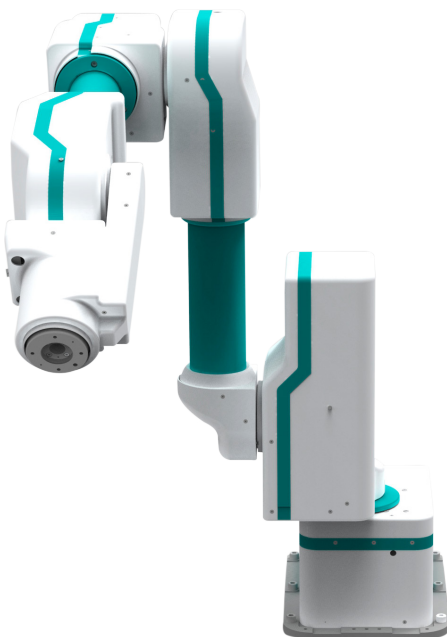
| I/O Ports | At Panel | At Tool |
|-----------------------------|----------------------------------|---------|
| Digital In | : 9 Standard + 18 (2x9) Optional | 5 |
| Digital Out | : 5 Standard + 10 (2x5) Optional | 3 |
| I/O Power Supply (Optional) | : 24VDC @ 30A | |

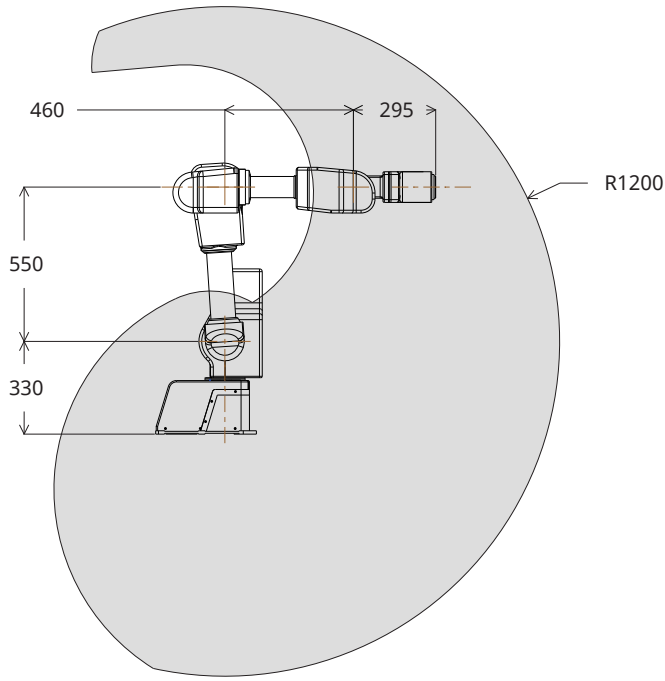
| | |
|---------------|--|
| Communication | : Bluetooth 3.0 and Wi Fi 802.11 b/g/m |
| Programming | : Android Tab Application |

| | |
|-------------------|--------------------------------------|
| IP Classification | : IP 40 |
| Temperature | : 50 Deg C |
| Power Supply | : Universal 120-240 VAC Single Phase |

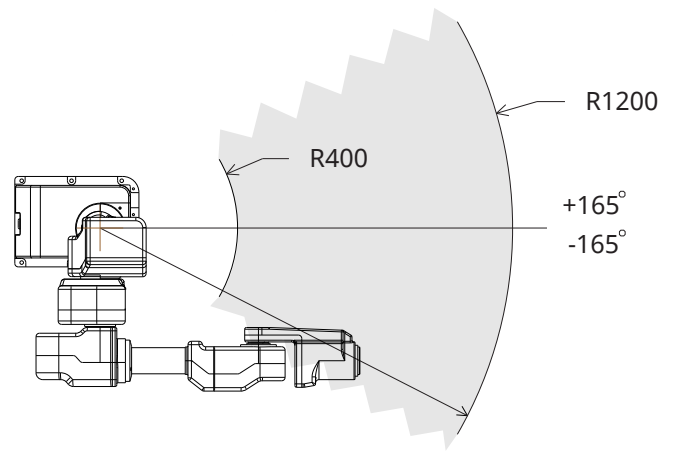


Isometric

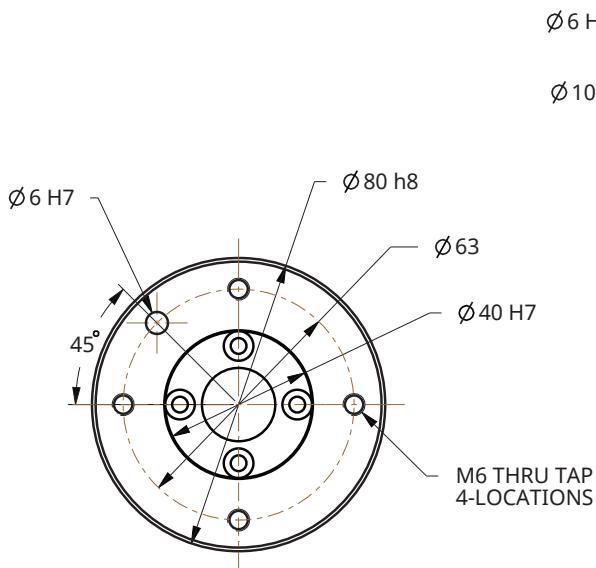




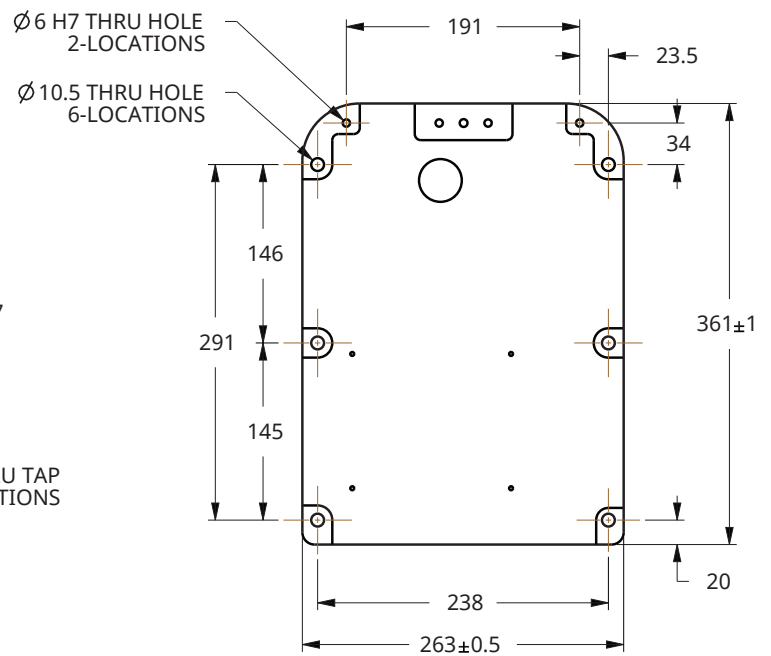
Side View



Top View



END-TIP of Wrist



Footprint

NOTE : Dimensions are shown in millimeters
Additional details will be provided on request