

ASYSTR 600S

Physical

Weight	: 50 KG
Payload	: Upto 6 KG
Reach	: Upto 800 mm

Joint Range (deg)

J1 Waist	: 330
J2 Shoulder	: 180
J3 Elbow	: 160
J4 Roll	: 330
J5 Pitch	: 180
J6 Roll	: 330

Joint Speed (deg/sec)

J1 Waist	: 200
J2 Shoulder	: 60
J3 Elbow	: 200
J4 Roll	: 150
J5 Pitch	: 150
J6 Roll	: 150

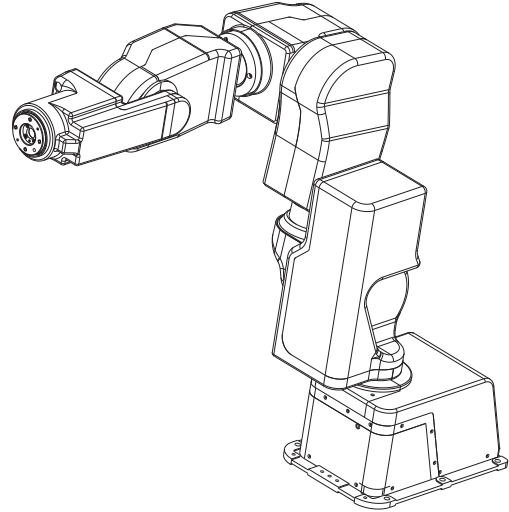
Repeatability	: 0.1 mm
Tool Attachment	: ISO_9409-1-63-4-M6
Footprint	: See image on reverse
Degrees of Freedom	: 6
Cabling Harness	: Internal

Control Box Size WxHxD	: 200 x 420 x 330 (mm)
Control Box Weight	: 15 KG

I/O Ports	At Panel	At Tool
Digital In	: 9 Standard + 18 (2x9) Optional	5
Digital Out	: 5 Standard + 10 (2x5) Optional	3
I/O Power Supply (Optional)	: 24VDC @ 30A	

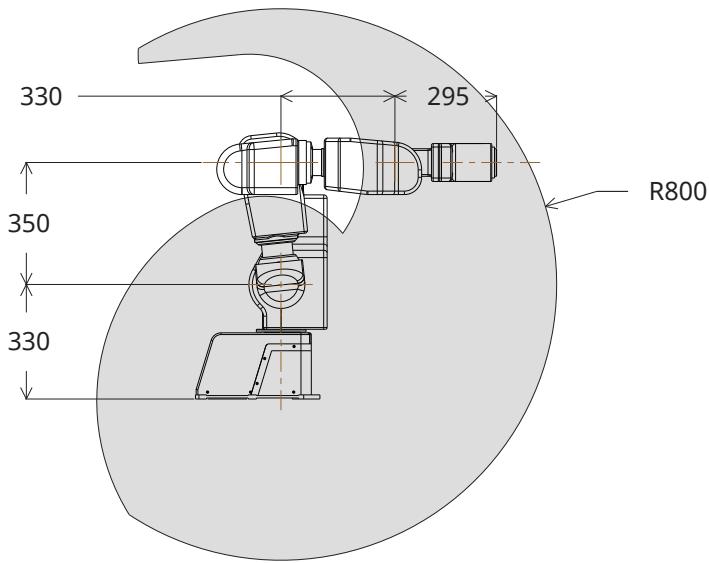
Communication	: Bluetooth 3.0 and Wi Fi 802.11 b/g/m
Programming	: Android Tab Application

IP Classification	: IP 40
Temperature	: 50 Deg C
Power Supply	: Universal 120-240 VAC Single Phase

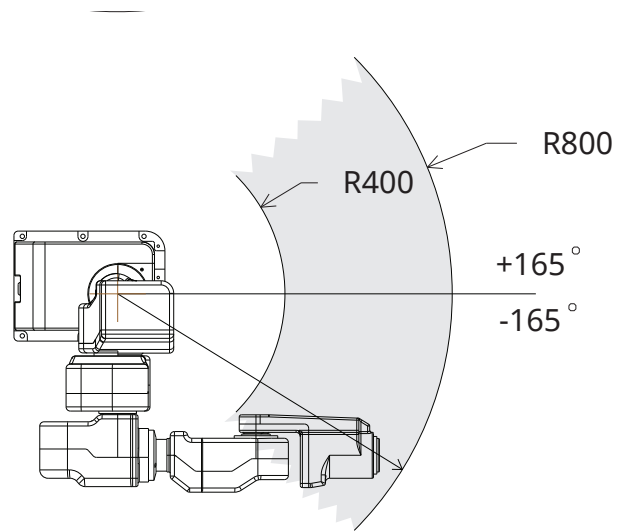


Isometric

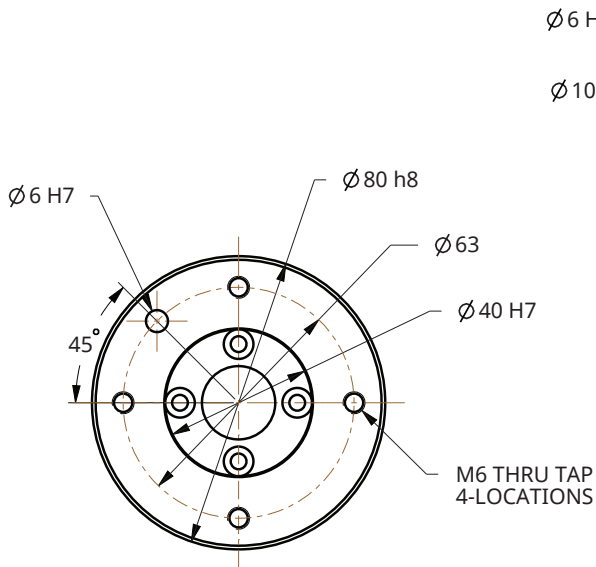




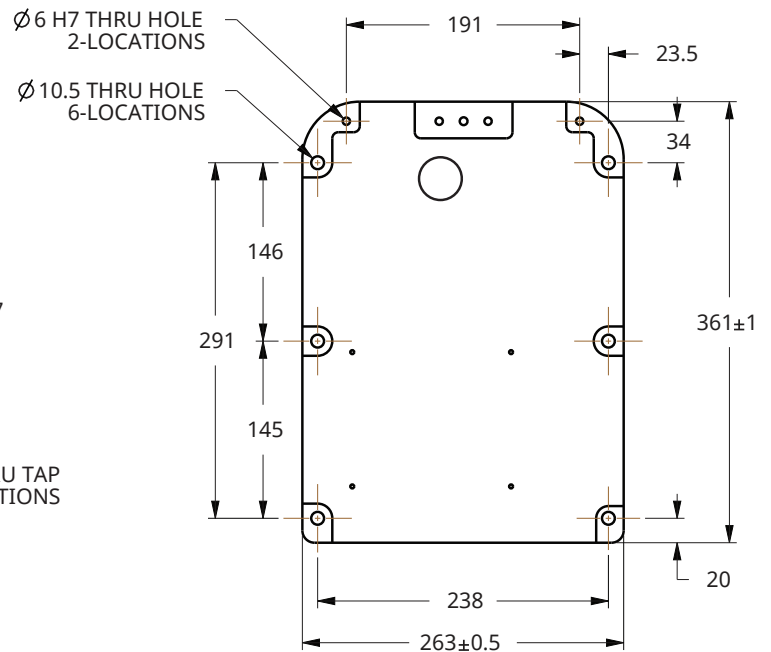
Side View



Top View



END-TIP of Wrist



Footprint

NOTE : Dimensions are shown in millimeters
Additional details will be provided on request